



425 Hanley Industrial Court, St. Louis, MO 63144
 Phone: (314) 333-5500, Fax: (314) 644-5332
 www.heatrex.com

INSTALLATION INSTRUCTIONS “HX-904/905/906/907” Series

THE INSTALLATION MUST BE EXECUTED
 BY A QUALIFIED TECHNICIAN



IMPORTANT INSTRUCTIONS

Basic precautions should always be followed to reduce the risk of fire, electric shock, and injury.

- Read all instructions before using this heater.
- A heater has hot and arcing or sparking parts inside. Do not use in areas where gasoline, paint or flammable liquids are used or stored.
- This heater is hot when in use. To avoid burns, do not let bare skin touch hot surfaces. Keep combustible materials, like furniture, pillows, bedding, papers, clothes, and curtains at least 3 in. (76 mm) from the front of the heater.
- To prevent a possible fire, do not block air intakes and/or exhaust in any way whatsoever.
- Do not insert or allow foreign objects to enter any ventilation or exhaust opening as this may cause an electric shock or fire, or damage the heater.
- Do not install heater against combustible low-density cellulose fiberboard surfaces.
- The heater is not to be located below electrical convenience receptables.
- WARNING - High temperature: Keep electrical cords, drapes, and other furnishings away from heater.
- Use only with copper branch circuit conductors.
- For bathroom use, the heater must be installed so that switches and other controls cannot be touched by anyone in the bath or shower.
- To avoid possible electrical shock, disconnect all power at the main panel prior to wiring, cleaning, or servicing.
- Do not use outdoors.
- CAUTION: Hazard of electric shock - With the option “electrical convenience receptable” mounted in a standard heater - More than one disconnect switch may be required to de-energize the equipment for servicing.

- Use this heater only as described in this manual. Any other use not recommended by the manufacturer may cause fire, electric shock, or injury.
- **KEEP THESE INSTRUCTIONS**

INSTALLATION / USER

With the option “Bottom fresh air inlet”, install bottom of heater not less than 2 in. (50 mm) above finished floor.

- 1- Remove baseboard front panel by removing screws at bottom and remove the appropriate junction box cover.
- 2- Remove required knockouts.
- 3- Install the relay or thermostat if supplied as a kit. See Options section for details.
- 4- Make electrical connection according to the wiring diagram in accordance with local and national codes.
- 5- Secure heater to the wall and loose screws by 1/2 turn for metal thermal expansion.
- 6- Replace junction box cover and baseboard front panel before energizing.

OPTIONS

All heating equipment and options must be installed in accordance with local and national codes.

Built-in thermostat:

- Refer to the upper wiring diagram for connections.
- Refer to instructions supplied with this option for mounting.

Built-in relay:

- Refer to the diagram included with the relay option for connections
- Refer to instructions supplied with this option for mounting.

CORNERS AND BLANK SECTIONS

- Install blank sections and corners same way as heating unit of this series.
- Install corners using the mounting holes.
- Use “EMT” tubing or “BX” cable to run wiring into these options.

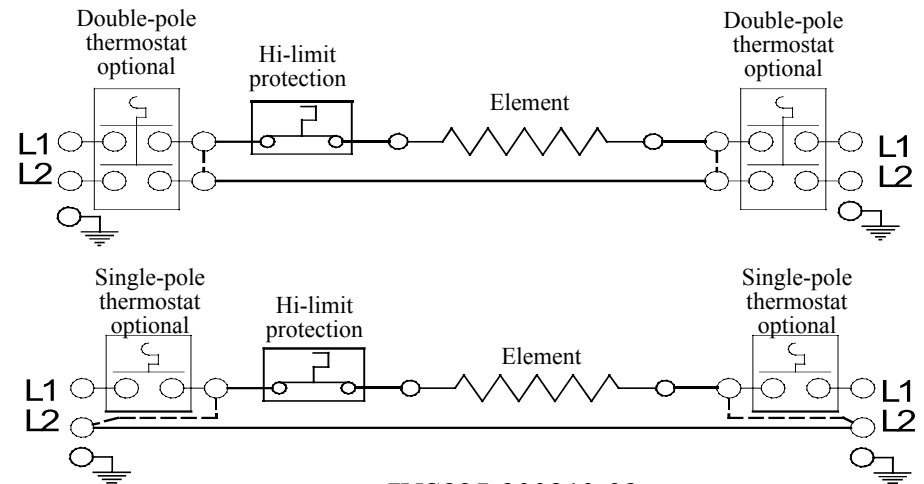
INTERCONNECTION

- The connection boxes and the wiring channel are approved for interconnection of baseboard heaters and components which are on the same heating branch circuit.
- For all other options in this series, use “EMT” tubing or “BX” cable to run wiring. (Ex: Corner box, empty cabinets, etc.)
- The heater junction box volume without options is 48.2 in.³ (790 cm³).

MAINTENANCE

- Once a year or at the need, remove the front panel and use a vacuum cleaner to remove the dust accumulation inside the heater.
- Cleaning should be done while the heater is disconnected from the main service panel. Wait until the housing and heating element cool before performing maintenance. Remove the front panel.
 CAUTION: Fins on the element are sharp - Do not touch. Replace all covers before energizing.
- Any other servicing should be performed by a qualified technician.

WIRING DIAGRAM



INS325-200310-03