

909H & 911H Series

ARCHITECT'S AND ENGINEER'S SPECIFICATIONS*

Furnish and install, where indicated on plans, 909H & 911H Architectural Convectector type heaters, suitable for continuous operation, as manufactured by Heatrex.

The 909H series is listed for wall mounted applications, while the 911H series is listed for pedestal mounting and comes standard with pedestal kits for mounting and in-field adjustment.

Heaters shall be low profile (3" x 5 1/2") and available in lengths from 28 inches through 10 feet.

Enclosures shall be 16-gauge (optional 14-gauge front), furniture quality steel with reinforced, all welded construction; designed to withstand heavy-duty commercial and institutional use.

Enclosures shall be chemically-treated to resist corrosion. Finish shall be mar and temperature-resistant to retain contemporary appearance throughout years of rough use.

For safety, the electric heating bank shall consist of metal sheath heating elements. The elements shall have a copper clad steel sheath for strength and corrosion resistance, and aluminum fins for faster heat transfer.

Elements shall be installed on the same plane to uniformly warm all incoming air. Elements shall be center-anchored and shall float freely on each end through nylon bushings for quietness.

Discharge louvers shall be an extruded aluminum bar grille and direct heat away from wall and to minimize wall surface temperatures and control dirt streaking. Discharge louvers painted to match the heater finish to ensure a clean, decorative finish.

An optional 1/4-inch mesh screen shall be installed beneath the discharge grille to deter the insertion of foreign objects.

Optional built-in controls shall include single-pole, double-pole thermostats, power on/off switch, transformer relay and power relay. The thermostat shall be capable of controlling multiple units on a pilot

duty circuit. (Observe the control limitations indicated.) Thermostat adjustment shall be with a thin-bladed screwdriver through the discharge louvers and shall be considered tamper-resistant.

An automatic reset thermal overheat protector shall run the full-length of the heater and shall turn off heating elements should overheating occur at any point along heating length. Overheat protector shall restore operation automatically when cause of overheating is removed. Heaters shall be designed with a built-in prewired race-way to enable multiple unit wiring from one feeder source.

Pedestal legs come standard on the 911H series units. They shall be architecturally styled and shall be individually adjustable to insure an even, level heater installation.

Back panel shall be one piece heavy gauge painted steel, completely finished, and shall be suitable for mullion-to-mullion mounting in front of a glass curtain wall.

28-inch control sections, finished to match the heating units, shall be available with factory built-in mercury contactors, circuit breakers, control transformer, or SCR controls. This control section shall also be furnished blank, as an optional accessory, for field installation of controls.

All heaters and electrical accessories shall be labeled by Underwriters' Laboratories, Inc.

Accessories shall include end caps, blank sections, inside and outside corners, splice plates, and telescoping filler sections. All accessories shall be completely enclosed to enable the installer to pull standard wiring from heater to heater through the accessories.

**Heatrex reserves the right to change specifications without prior notice.*

APPLICATION LIMITATIONS AND PRECAUTIONS

Hazardous Atmosphere: Because the possibility of a concealed spark can exist from the built-in over-head cutout, heaters should not be used in potentially explosive atmospheres.

Corrosive Atmosphere: The high quality finish and steel internal sheet metal parts will give excellent service under most operating conditions, including coastal salt air and industrial atmospheres. However, the finish is not intended for direct salt spray exposure in marine application or highly corrosive greenhouse, swimming pool, chemical storage or industrial atmospheres.

Cleanliness: Although specifically designed for mounting below window areas, heaters can be installed on plaster, wood paneled, metal, masonry or composition wall surfaces with reasonable expectation of clean wall operation. Should some soiling occur, after a period of years, smooth walls may be cleaned with standard maintenance materials. For deep textured walls, consideration should be given choice of enclosure height and watt per foot capacity—generally, the enclosure with lowest surface temperature will have the least soiling tendency.

Comfort: Optimum room comfort results when heater is mounted just below the window sill, since window cold down draft is eliminated and maximum convection air distribution without stratification is maintained throughout the room. Because of the tendency for warm air to stratify, installing heaters close to the ceiling is not recommended. If it should be necessary, at least 18" clearance above the air discharge must be maintained. Bottom of heaters are not intended for attractive appearance when mounted above eye level.

Air Throw: Since heaters provide only natural convection air throw, they are not recommended for combating cold outside air blasts through high traffic, main entry ways and vestibules. Heaters will maintain satisfactory comfort conditions in low traffic, side entry ways and vestibules, but for most entry ways, faster response fan driven heaters would be preferred.

Curtains, drapes or blinds should clear the top of the heater by at least six inches. See I for vinyl blinds. Never permit draperies to completely cover the unit.

Furniture should be placed so it does not touch the heater and so it does not completely block the air vents. Allow at least 4" free space between furniture and the heaters.

Recess mounting: UL labeled for free standing wall surface mounting only. Not recommended for mounting behind built-in book shelves, storage cabinets, window seats, etc.

In institutional applications such as hospitals, nursing homes, child day-care centers and clinics, it is recommended that low-watt density convectors be used to provide optimum comfort at lowest case temperatures.

Due to variations in vinyl compositions and their potential to discolor, the use of stand-off brackets (SO1 or SO2) and/or specifying the lower watt density unit may be required when installing on vinyl wall-coverings or under vinyl window dressings.

Prior to setting specifications, consult factory for installation recommendations.

5 1/2" x 3" — Single Element Lengths

Length	28"	3'	4'	5'	6'	8'	10'
Shipping Weight	11 lbs	15 lbs	18 lbs	25 lbs	29 lbs	38 lbs	47 lbs

NOTE: All models are NON-STOCK, MADE-TO-ORDER. When ordering, specify quantity, catalog number, voltage, wattage, optional controls, and color. Consult sales representative for lead times.

Watts per Ft.*

125	188
250	

Voltages*

120	208	240
277	347	600

*Specifications may vary by length.

Consult sales representative for additional details.

Optional Accessories - 909H

CATALOG NO.*	COMPATIBLE WITH	HEIGHT	DEPTH	LENGTH	ADDITIONAL LENGTH	SHIP WT.		
BLANK SECTIONS	BIH-D5SBS21	909H	5 1/2"	3"	28"	-	10 lbs	
	BIH-D5SBS31				3'	-	13 lbs	
	BIH-D5SBS41				4'	-	17 lbs	
	BIH-D5SBS51				5'	-	21 lbs	
	BIH-D5SBS61				6'	-	25 lbs	
	BIH-D5SBS81				8'	-	32 lbs	
	BIH-D5SBS101				10'	-	42 lbs	
END CAPS	LEFT	BIC-D5ECL1**	909H	5 1/2"	2 1/2"	-	1/8"	1 lbs
		RIGHT	BIC-D5ECR1**	909H	5 1/2"	2 1/2"	-	1/8"
FILLER SECTIONS	BIH-D5SFL3	909H	5 1/2"	5 1/8"	4	0-3	1 lbs	
	BIH-D5SFL6**	909H	5 1/8"	2 1/2"	7	3-6	2 lbs	
	BIH-D5SFL9**	909H	5 1/8"	2 1/2"	10	6-9	3 lbs	
	BIH-D5SFL12**	909H	5 1/8"	2 1/2"	13	9-12	4 lbs	
	BIH-D5SFL18**	909H	5 1/8"	2 1/2"	19	15-18	5 lbs	
CORNERS	INSIDE	BIH-D5SIC	909H	5 1/8"	2 1/2"	4 1/2"	3-3 1/2"	2 lbs
		OUTSIDE	BIH-D5SOC	909H	5 1/8"	2 1/2"	1"	0-1/2"
	CONDUIT	BIH-D5SHCC	909H	-	2 5/8"	2 1/2"	-	4 lbs

All steel convectors come standard with end caps. All pedestal style steel convectors come standard with pedestals. Outlet Mesh: Price per foot. 14-Gauge Front Cover: add 10% to heater price. Standard color included in base price. Other colors available. See paint policy page for information on custom paint colors. When ordering, specify heater catalog number, voltage, phase, suffix catalog number for built-in controls, color, and options. If color not specified, standard color is Beige.

*Add suffix color code (i.e. -W for white, -B for black, etc.) **Built-in duplex receptacle available.

Optional Accessories - 911H

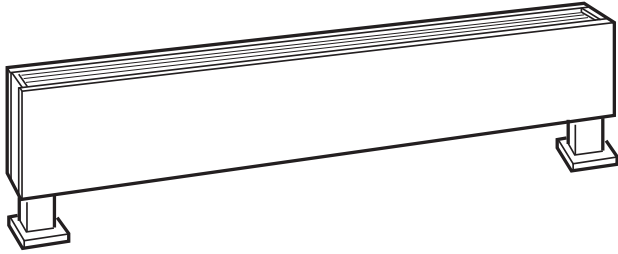
CATALOG NO.*	DESCRIPTION	COMPATIBLE WITH	SHIP WT.		
BLANK SECTIONS	BIH-D5PBS2	911H Heaters	28-Inch Blank Section	10 lbs	
	BIH-D5PBS3		3-Foot Blank Section	13 lbs	
	BIH-D5PBS4		4-Foot Blank Section	17 lbs	
	BIH-D5PBS5		5 Foot Blank Section	21 lbs	
	BIH-D5PBS6	911H Heaters	6-Foot Blank Section	25 lbs	
			BIH-D5PBS8	8-Foot Blank Section	32 lbs
			BIH-D5PBS10	10-Foot Blank Section	42 lbs
PEDESTAL LEG KITS	BIP-C5P2	Legs must be ordered with 911H Heaters/Blanks	Pedestal Leg Kit for 2, 3 & 4 ft. units (quantity 3)	3 lbs	
	BIP-C5P3		Pedestal Leg Kit for 5, 6 & 8 ft. units (quantity 3)	4 lbs	
	BIP-C5P4		Pedestal Leg Kit for 10 ft. unit (quantity 4)	5 lbs	
END CAPS	RIGHT	BIC-D5ECR1	Right Hand End Cap	911H Heaters/Blanks	1 lbs
		LEFT	BIC-D5ECL1	Left Hand End Cap	911H Heaters/Blanks

All steel convectors come standard with end caps. All pedestal style steel convectors come standard with pedestals. Outlet Mesh: Price per foot. 14-Gauge Front Cover: add 10% to heater price. Standard color included in base price. Other colors available. See paint policy page for information on custom paint colors. If color not specified, standard color is Beige. When ordering, specify heater catalog number, voltage, phase, suffix catalog number for built-in controls, color, and options. Specify color for pedestal legs.

*Add suffix color code (i.e. -W for white, -B for black, etc.)

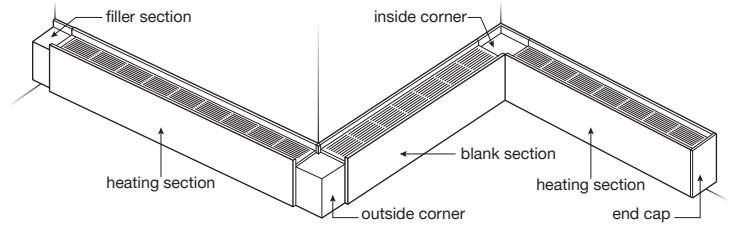
Dimensions and Clearances:

Cat. No.	Dimensions	
	H	D
909H & 911H	5 1/2"	3"

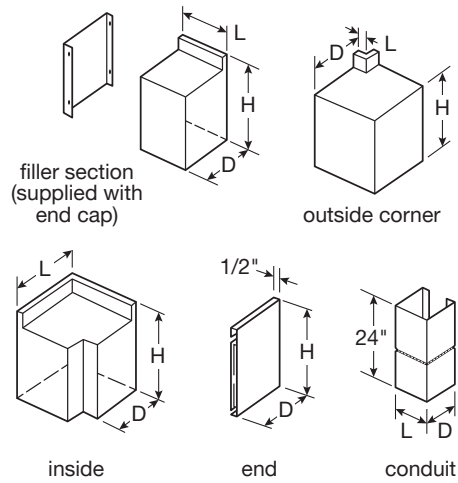
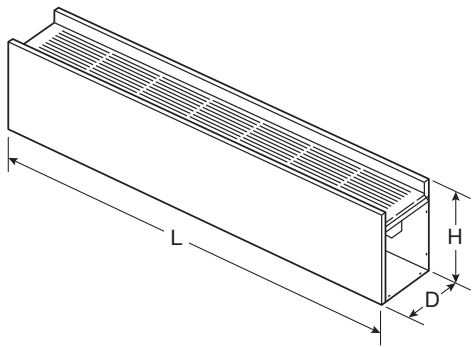


Typical Installation

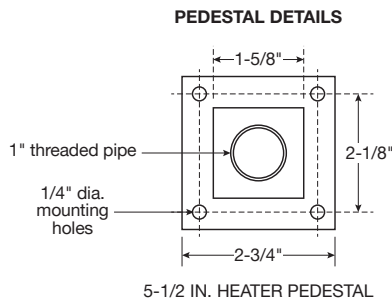
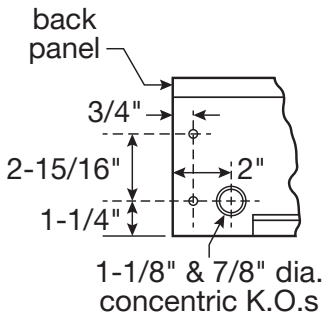
Minimum Mounting Height Above Floor	
Up to 250W/Ft.	1 3/4"



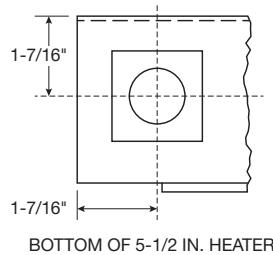
Optional Accessories:



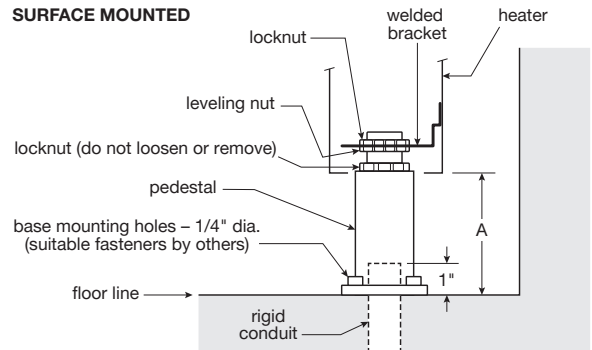
Knockouts and Mounting Holes and Pedestals:



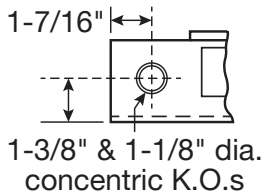
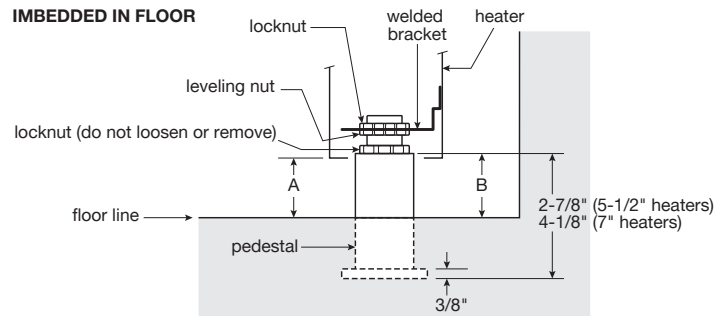
PEDESTAL LOCATION



SURFACE MOUNTED



IMBEDDED IN FLOOR



How to Order

Example:

909HB	06	250	20	1	B	T	L	0	0000	-	A	6	M	3	C
Model: 909HB, 911HB															Product Generation: C
Nominal Heater Length: 02 = 2.3' (28"), 03 = 3' (36"), 04 = 4' (48"), 05 = 5' (60"), 06 = 6' (72"), 08 = 8' (96"), 10 = 10' (120")														Accessory Options ¹ : 0 = none, 1 = Pedestals Only, 2 = End Caps Only, 3 = Both	
Watts/ft: 125, 188, 250														Outlet Mesh: 0 = None, M = Mesh	
Voltage*: 12 = 120V 20 = 208V, 24 = 240V, 27 = 277V, 34 = 347V, 60 = 600V														Front Cover Material: 4 = 14g (Standard) 6 = 16g	
Phase: 1 = 1P														Finishes & Color: A = Aluminum, B = Black, G = Charcoal Grey, N = Beige, S = Bronze, U = Custom*** W = White	
Air Inlet: B = Bottom Inlet														Control Packages**: Standard: 00000 = None, 000X0 = TR, 00P00 = 1PR, 0D000 = DS, 0DOX0 = DS-TR, P0000 = 2T, PD000 = 2T-DS, T0000 = T, TD000 = T-DS Custom Charge: 00R00 = 2PR, 0C000 = 2DS, PC000 = 2T-2DS, S0000 = 2ST, TOP00 = T-1PR	
Air Discharge: T = Top Outlet														Control Voltage**: 0 = N/A, L = Line, 2 = 24VAC	
Incoming Power Hand: R = Right hand, L = Left hand															

(1) Pedestals only available on 911H Series.

*Standard voltage and phase combinations include 121, 201, 203, 241, 271. Other options available under extended offering. Please contact Heatrex Technical Service for more details.

**Other options available under extended offering. Please contact Heatrex Technical Service for more details.

***Custom finishes will require an actual paint/finish sample and finish confirmation prior to order acceptance. Contact Heatrex Sales Representative for additional configuration details.

No matter the industry or application, Heatrex has a robust portfolio of innovative, reliable, high-performance comfort heating and ventilation solutions for all your heating needs.