

937H Series

ARCHITECT'S AND ENGINEER'S SPECIFICATIONS*

The heating equipment shall include an electric, ceiling-mounted type 937 Series fan-forced air heater suitable for large area heating as manufactured by Heatrex. Heater shall be cULus listed.

The heater shall be designed for surface, recess, or T-Bar mounting. For surface mounting, a Heatrex FIE-SEB-N surface enclosure shall be used. For T-Bar mounting, a Heatrex FIE-REB-N recess enclosure shall be used. For recessed mounting in a permanent ceiling, a Heatrex FIE-REB-N recess enclosure and FIK-TK-N trim kit shall be used.

The heaters shall be factory wired for single-phase operation and field convertible to three-phase operation by removing one jumper wire.

The heaters should be factory wired for full wattage and field convertible to 75% or 50% wattage by the removal of one or two wires respectively.

HEATER SECTION: The heater section shall consist of a 20 gauge steel chassis on which are mounted the heating elements, fan motor and blade, fan control, thermal cutout, and 3-pole contactor. Heater section shall be completely prewired.

HEATER ELEMENTS: The heating elements shall be warrantied for five years and shall be of non-glowing design consisting of 80/20 NiCh resistance wire, enclosed in a steel sheath, to which steel plate fins are brazed. The elements shall cover the entire air intake area to ensure uniform heating of all discharged air.

MOTOR AND CONTROLS: The fan motor shall be impedance-protected, permanently lubricated, and with totally-enclosed rotor. Fan control shall be bi-metallic, snap-action type and shall activate the fan immediately and continue to operate the fan after the thermostat is satisfied and until all heated air has been discharged. Thermal cutout shall be bi-metallic snap-action type designed to automatically shut off the heater in the event of overheating and reactivate the heater when temperature returns to normal.

OPERATIONAL CONTROLS: Thermostat, disconnect switch, and all interlock relays shall be installed within the heater enclosure.

RECESS ENCLOSURE: The back box shall be designed for duty as a recessed rough-in box in masonry, T-Bar, or frame ceiling construction. The back box shall be 20 gauge galvanized steel and shall contain knockouts through which field wiring leads are brought. Enclosures to recess into a maximum 7 inches of ceiling space.

The louvered recess faceplate shall be of 20 gauge cold rolled steel, phosphatized, then electrostatically painted White by a baked enamel process.

SURFACE ENCLOSURE: The surface mounting plate shall be designed for duty as a rough-in box on masonry, T-Bar, or frame ceiling construction. The surface mounting plate shall be 20 gauge galvanized steel and shall contain knockouts through which field wiring leads are brought. Enclosure to extend a maximum of 6 inches into the heated space.

The louvered surface wrapper shall be contoured aluminum extrusion and 20 gauge sheet metal combination with rounded corners. The surface wrapper shall be electrostatically painted Beige or White by a baked enamel process.

**Heatrex reserves the right to change specifications without prior notice*

Models & Specifications - Heater Only

ITEM INFORMATION*		ELECTRICAL DATA					SHIP WT.
CATALOG NO.	MOUNTING	KW	BTU/HR.	AMPS	VOLTS	PHASE	SHIP WT.
937HF-548A-N	Heater Section Only	4/3/2	13.7/10.2/6.8	19.2/14.2/9.6	208	1-3	27 lbs
937HF-542A-N	Heater Section Only	4/3/2	13.7/10.2/6.8	16.7/12.5/8.3	240	1-3	27 lbs
937HF-547A-N	Heater Section Only	4/3/2	13.7/10.2/6.8	14.4/10.8/7.2	277	1	27 lbs
937HF-558A-N	Heater Section Only	5/3.8/2.5	17.1/13/8.5	24/18.3/12	208	1-3	27 lbs
937HF-552A-N	Heater Section Only	5/3.8/2.5	17.1/13/8.5	20.8/15.8/10.4	240	1-3	27 lbs
937HF-557A-N	Heater Section Only	5/3.8/2.5	17.1/13/8.5	18.1/13.7/9	277	1	27 lbs

*For a White finish, replace the suffix N with a W on the associated catalog number. Contact your Heatrex sales representative for more detail.

Models & Specifications - Packaged Units

ITEM INFORMATION*		ELECTRICAL DATA					SHIP WT.	
SURFACE MOUNT	RECESSED MOUNT	KW	BTU/HR.	AMPS	VOLTS	PHASE	SURFACE MOUNT	RECESSED MOUNT
937HF-548SEA-N	937HF-548REA-N	4/3/2	13.7/10.2/6.8	19.2/14.2/9.6	208	1-3	27 lbs	37 lbs
937HF-542SEA-N	937HF-542REA-N	4/3/2	13.7/10.2/6.8	16.7/12.5/8.3	240	1-3	27 lbs	37 lbs
937HF-547SEA-N	937HF-547REA-N	4/3/2	13.7/10.2/6.8	14.4/10.8/7.2	277	1	27 lbs	37 lbs
937HF-558SEA-N	937HF-558REA-N	5/3.8/2.5	17.1/13/8.5	24/18.3/12	208	1-3	27 lbs	37 lbs
937HF-552SEA-N	937HF-552REA-N	5/3.8/2.5	17.1/13/8.5	20.8/15.8/10.4	240	1-3	27 lbs	37 lbs
937HF-557SEA-N	937HF-557REA-N	5/3.8/2.5	17.1/13/8.5	18.1/13.7/9	277	1	27 lbs	37 lbs

*For a White finish, replace the suffix N with a W on the associated catalog number. Contact your Heatrex sales representative for more detail.

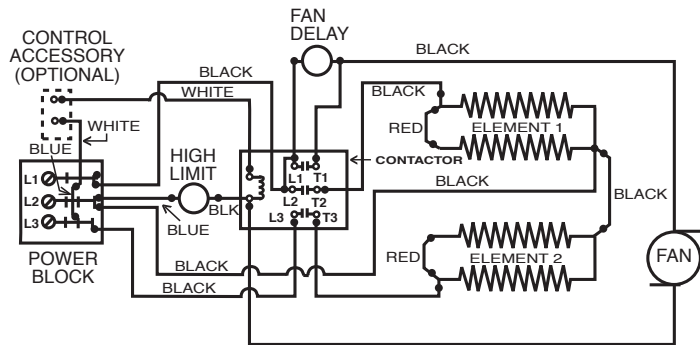
*Unit includes heater and corresponding mounting kit.

Optional Accessories:

CATALOG NO.	DESCRIPTION	SHIP WT.
FIE-SEB-N	Surface-mounted enclosure (Beige) — to be used With above heater section. 20" L x 16 1/2" W x 5 3/4" D	10 lbs
FIE-REB-N	Recessed-mounted enclosure (Beige) — to be used With above heater section. 23 3/4" L x 23 3/4" W x 7" D	18 lbs
FIE-SEBNW-W	Surface-mounted White — to be used With above heater section. 20" L x 16 1/2" W x 5 3/4" D	10 lbs
FIE-REBNW-W	Recessed-mounted White — to be used With above heater section. 23 3/4" L x 23 3/4" W x 7" D	18 lbs
FIT-500T-Z	Integral thermostat SPST — Range 45 to 95°F	1 lbs
FIR-24R-Z	Relay (Time Delay 45-60 sec. to close when energized) requires 24V supply from remote source	1 lbs
FIR-R12-Z	Relay (Time Delay 45-60 sec. to close when energized) requires 120V supply from remote source	1 lbs
FIS-DS-Z	Power Disconnect Switch (3-Pole) 30 amps, 600 volts, 3Ø, 60 Hz	1 lbs
FIK-TK-N	Trim Ring for mounting on permanent ceiling (cannot be factory installed)	1 lbs
FIR-TR4-Z	208/240V Primary Transformer/24V sec. and 24V holding coil control relay	1 lbs
FIR-TR7-Z	277V Primary Transformer/24V sec. and 24V holding coil control relay	1 lbs

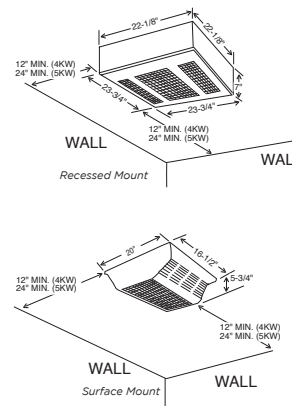
NOTE: Factory-wired for highest wattage, field-convertible to lower wattages. Factory-wired 1-PH, field convertible to 3-PH dual-phase units, maximum amp draw is listed. Amperage shown is for single phase. For factory installation of above controls, additional charges apply.

Electrical Wiring, Standard Factory Wired Diagram:



CAUTION: Field wiring must be #10 AWG. min. rated 90°C. min.

Dimensions and Clearances:



No matter the industry or application, Heatrex has a robust portfolio of innovative, reliable, high-performance comfort heating and ventilation solutions for all your heating needs.